



ugo basile®

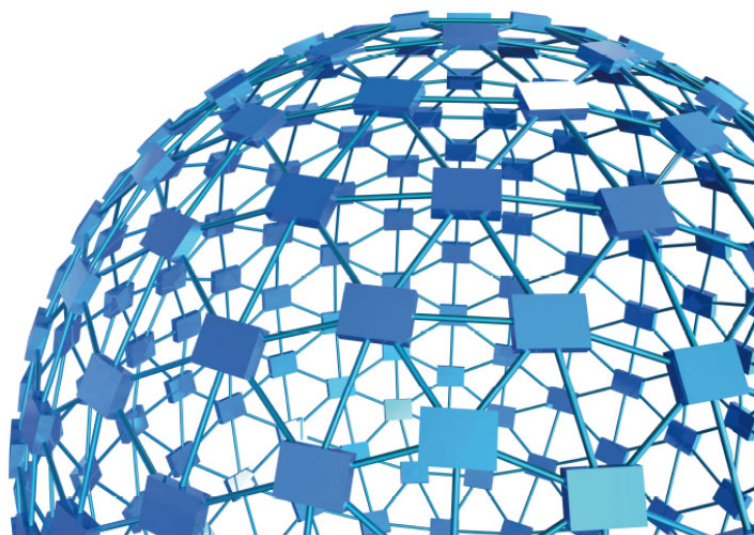
TRANSFORMING IDEAS  
INTO INSTRUMENTS

## assembling instruction

**Sociability Cage**

**Cat. No. 46503 / 46553**

**Cat. No. 46502/12 / 46552/62**



**UGO BASILE S.R.L.**

[sales@ugobasile.com](mailto:sales@ugobasile.com) / [service@ugobasile.com](mailto:service@ugobasile.com) [www.ugobasile.com](http://www.ugobasile.com)



## Sociability Apparatus ( 3-chambered social test )

for MOUSE or RAT

### General

Research has shown that, although human social behavior is generally more complex, humans and animals share some aspects of social behavior.

The 3-chambered test is a valuable tool to assess general sociability and interest in social novelty in rodent models of CNS disorders.

Rodents normally prefer to spend time with another rodent (**sociability**) and will investigate a novel intruder more than a familiar one (social novelty).

Based on these inclinations, the Three Chamber Test can help identify rodents with deficits in sociability and/or social novelty.

The **Ugo Basile Sociability Apparatus** consists of a 3-chambered cage, with transparent or grey opaque walls, a special non-reflective grey-colored floor and 2 grid enclosures.

Many authors (e.g. Moy et al. 2004; Nadler et al. 2004) have shown that a 3-chambered box can be used to test:

- Social Novelty Preference
- Sociability
- Dominance
- Autism



### FOR STUDIES ON:

- Autism
- Social Memory & Novelty
- Pair-bonding
- Dominance hierarchies



### Main Features

- Works even with the most basic video-tracking software
- Grid Enclosures maximize animals interaction
- The grey floor gives high contrast with both light and dark animals
- The special painting gives a slightly rough surface, pleasant for the animals to walk on.
- Available with transparent or opaque walls
- Sociability Cages for Rat are also available in two sizes: standard 120x40x40(h)cm and XL 120x80x40(h)cm



**ugo basile®**

TRANSFORMING IDEAS  
INTO INSTRUMENTS

## CHECK-LIST

- Cat. No. 46503 Sociability Cage Mouse**
- Cat. No. 46553 Sociability Cage Mouse**
- Cat. No. 46502 Sociability Cage Rat**
- Cat. No. 46512 Sociability Cage Rat XL**
- Cat. No. 46552 Sociability Cage Rat**
- Cat. No. 46562 Sociability Cage Rat XL**

CLIENTE / CUSTOMER \_\_\_\_\_

Ordine No. / Order No. \_\_\_\_\_ Data / Date \_\_\_\_ / \_\_\_\_ / \_\_\_\_

UB code	CAT.No.	46503	46553	46502	46552	46512	46562	✓	DESCRIPTION
	46503-010	1							EXTERNAL CAGE <b>TRANSPARENT</b> , w/2 DOORS, 60x40x22(h)cm
	46553-010		1						EXTERNAL CAGE <b>OPAQUE GREY</b> , W/2 DOORS, 60x40x22(h)cm
	46503-003	2	2						GRID ENCLOSURE, GREY, I.D. 7cm, 15cm(h) - mouse
	46503-320	1							SET OF 2 TRANSPARENT LIDS
<b>M-LM 570</b>		1	1						METAL FLOOR, SPECIAL NON-REFLECTIVE COLOR 60X40cm
	46502-010			1					EXTERNAL CAGE <b>TRANSPARENT</b> , w/2 DOORS, 120x40x40(h)cm
	46552-010				1				EXTERNAL CAGE <b>OPAQUE GREY</b> , w/2 DOORS, 120x40x40(h)cm
	46512-010					1			EXTERNAL CAGE <b>TRANSPARENT</b> , w/2 DOORS, 120x80x40(h)cm
	46562-010						1		EXTERNAL CAGE <b>OPAQUE GREY</b> , w/2 DOORS, 120x80x40(h)cm
	46502-002			2	2	2	2		GRID ENCLOSURE, GREY, I.D. 15m, 25cm(h) with conical top - rat
	46502-320			1	1	1	1		SET OF 2 TRANSPARENT LIDS
<b>M-LM 1102</b>				1	1				METAL FLOOR, SPECIAL NON-REFLECTIVE 120x40
<b>M-LM 1340-F</b>						1	1		METAL FLOOR, SPECIAL NON-REFLECTIVE 120x80
	46503-302	1	1	1	1	1	1	1	INSTRUCTION MANUAL

### OPTIONAL

	46503-003			GRID ENCLOSURE ("STRANGER" CAGE) <b>GREY</b> , I.D. 7cm, 15cm(h)					
	46503-005			GRID ENCLOSURE ("STRANGER" CAGE) <b>GREY</b> , I.D. 10.5cm, 18cm(h)					
	46503-013			GRID ENCLOSURE ("STRANGER" CAGE) <b>WHITE</b> , I.D. 7cm, 15cm(h)					
	46503-015			GRID ENCLOSURE ("STRANGER" CAGE) <b>WHITE</b> , I.D. 10.5cm, 18cm(h)					

DATE / /	Serial No.	IMBALLATO DA / PACKED BY
----------	------------	--------------------------

### IMPORTaNT/IMPORTANTE:

Check the shipment for completeness immediately after receipt: should you find any discrepancy, please fill in the following part and transmit it to our fax no. **+39 0332 745488**

Al ricevimento della merce controllate che la spedizione sia completa: in caso di discrepanza, completate il formulario di seguito riportato ed **inviate** al nostro fax no. **0332 745488**

# CONTENTS

1	GENERAL .....	1
2	CAGE ASSEMBLY .....	1
2.1	HOW TO ASSEMBLE CAGE 46503/46502 (TRANSPARENT WALLS) .....	1
2.2	HOW TO ASSEMBLE CAGE 46553/46552 (GREY OPAQUE WALLS).....	3
2.3	RAT SOCIABILITY CAGES.....	4
2.4	POSITION THE “STRANGER” CAGE.....	4
3	CUSTOMER SUPPORT .....	5
4	ORDERING INFORMATION .....	5
4.1	FOR MICE.....	5
4.2	FOR RATS .....	6
4.1	GRID CAGES AND OPTIONALS.....	7
4.2	VIDEOTRACKING .....	7
4.3	MOUSE CAGE, PHYSICAL.....	7
4.4	RAT CAGE, PHYSICAL .....	7
5	BIBLIOGRAPHY .....	7

# Sociability Cage

Cat. No. **46503 / 46553 – for Mouse**

Cat. No. **46502 / 46512 / 46552 / 46562 – for Rat**

## 1 GENERAL

The Ugo Basile Sociability Cage consists of a 3-chambered cage, with 2 grid enclosures and a special non-reflective grey-colored floor, providing ideal conditions for videotracking.

The 46553 perimetral walls and internal partitions of grey opaque PVC form a 3 compartment box, each 20x40x22(h)cm; two sliding doors (5x8(h)cm), opening on the central compartment, can be closed to confine the animal.

Model 46503 has transparent walls and partitions: the clear Perspex is ideal for visual observation of the experiment or for side positioning of the video-camera. The 46503 Sociability Cage with transparent walls, partitions and lids is disassembled for shipping.

The grey metal floor gives high contrast with both light & dark animals, allowing for automated video-tracking of the animals. Its special painting also gives a slightly rough surface, pleasant for the animals to walk on.

The grid enclosures allow mice to interact closely; the grid bars have a diameter of 3mm and are spaced 7mm.

The standard enclosures are 15cm tall with an I.D. of 7cm. The top and the bottom are made of grey (46503-003) or white (46503-013) PVC.

A similar model, but dimensioned for Rats is also available in two sizes: 120x40x40(h)cm and 120x80x40(h)cm. The grid cage 46502-002 is 25cm tall and has an I.D. of 15cm. its top cover has a conical shape, to avoid the rat climbing on it. As for the mouse model, the rat cage is available with transparent (46502) or opaque (46552) walls and partitions.

See also paragraph **4-Ordering Information**.

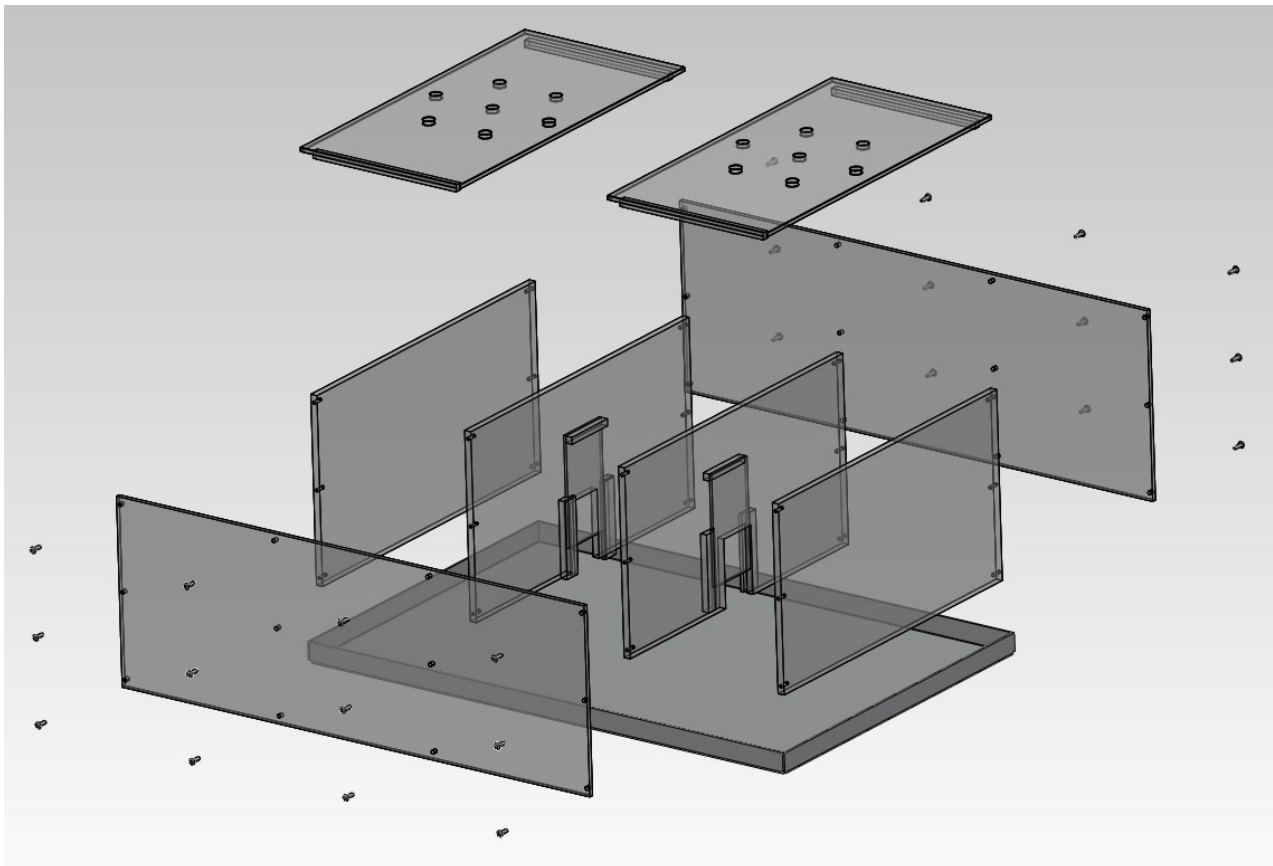
## 2 CAGE ASSEMBLY

### 2.1 How to assemble Cage 46503/46502 (transparent walls)

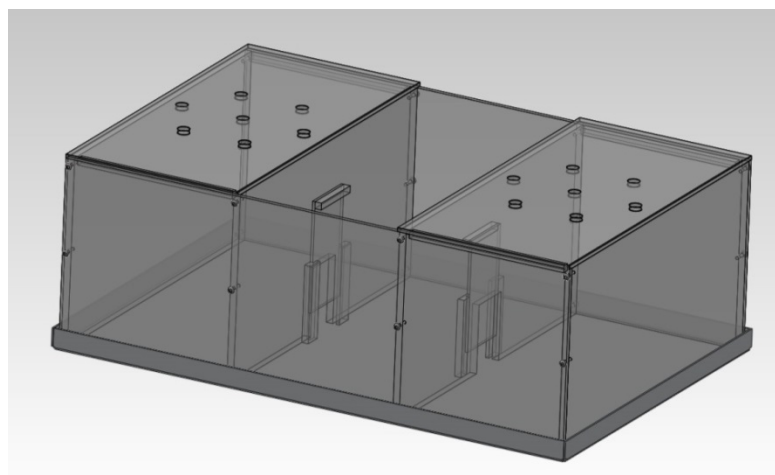
Model 46503 has transparent walls and partitions: the clear Perspex is ideal for visual observation of the experiment or for side positioning of the video-camera. The 46503 Sociability Cage with transparent walls, partitions and lids is disassembled for shipping.

Assemble the cage according to the following drawing, and fix the perimetral walls and the internal partitions by screws provided. Do not exert excessive torque, to avoid damaging the plastic walls.

Position the cage into the grey metal catch pan which also serves as background for videotracking.



Once the cage is assembled, position the two manual sliding-doors, and finally the transparent lids (if necessary)



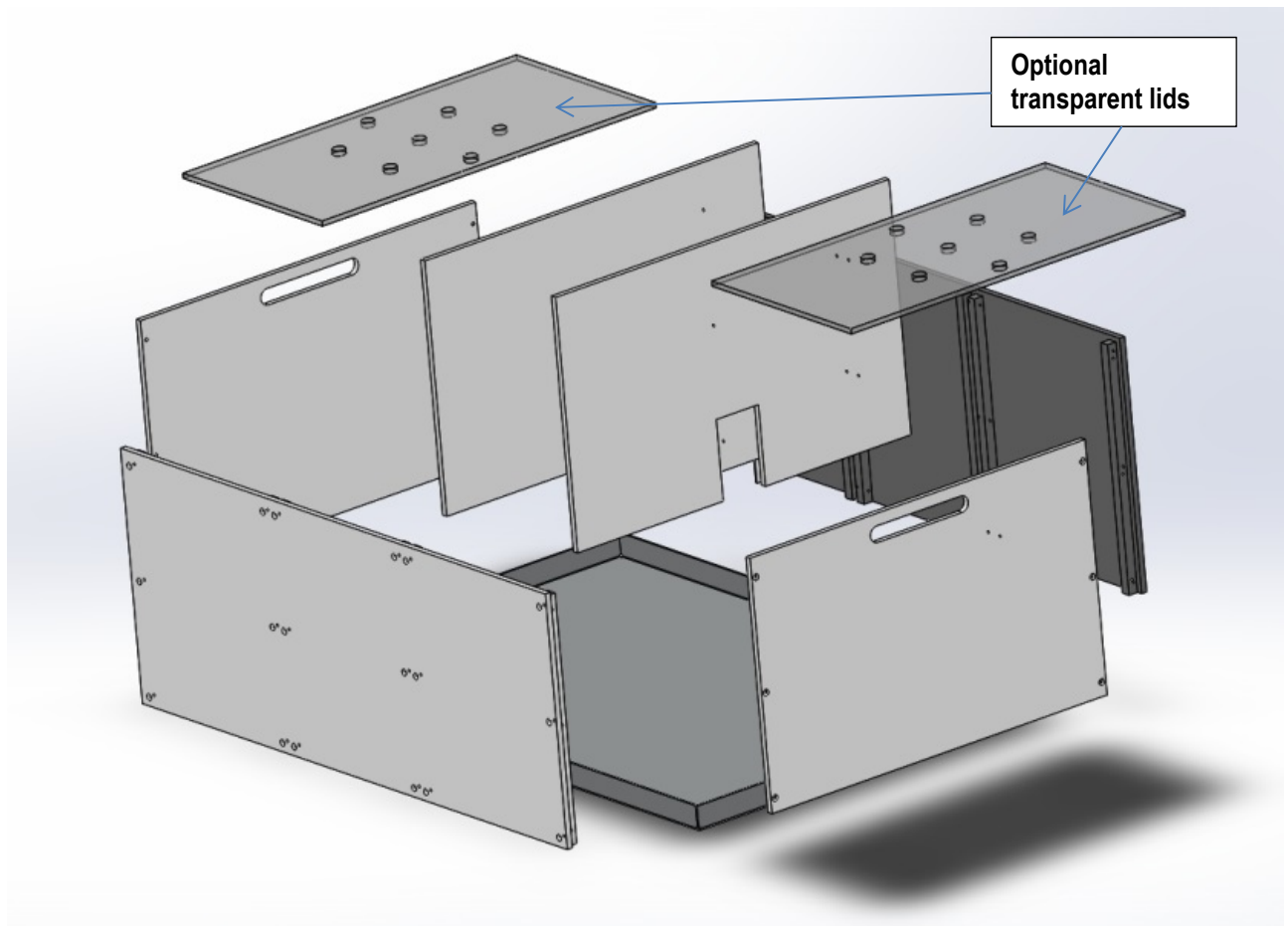
Assembled cage 46503

## 2.2 How to assemble Cage 46553/46552 (grey opaque walls)

The Sociability Cage with opaque walls and partitions is disassembled for shipping.

Assemble the cage according to the following drawing, fixing the perimetral walls by screws provided. Do not exert excessive torque, to avoid damaging the plastic walls.

The internal partitions slide in the slots provided on the longer external walls, and can be quickly removed for easy cleaning.



Once the cage is assembled, position the two manual sliding-doors. The 46553 is not provided with lids, which can be ordered separately (46503-320).



Assembled cage 46553

## 2.3 Rat Sociability Cages

The Sociability Cage is also available in two sizes suitable for Rats, standard 120x40x40(h)cm and XL 120x80x40(h)cm, with transparent or opaque walls, see paragraph 4-Ordering Information.

## 2.4 Position the “Stranger” Cage





The “stranger” cage for Rat is provided with a conical top cover, to avoid the subject to climb over.



### 3 Customer Support

For any further information you may need concerning the assembly and/or use of the 46503 and 46553, please do not hesitate to contact our **service department** (or our local distributor) either directly or via our support page <http://www.ugobasile.com/support.html> :



#### **UGO BASILE s.r.l.**

Via G. Di Vittorio 2  
21036 GEMONIO – Varese, ITALY



Phone : +39 0332 744574



[service@ugobasile.com](mailto:service@ugobasile.com)  
[logistics@ugobasile.com](mailto:logistics@ugobasile.com)  
[sales@ugobasile.com](mailto:sales@ugobasile.com)

### 4 Ordering Information

#### 4.1 For Mice

**46553** **Mouse Cage for Sociability, with opaque grey walls and partitions**, complete with following components:

**46503-003** Grid Enclosure for Sociability (“stranger” cage) **grey**, I.D. 7cm, 15cm(h)  
(2 pieces are provided)

**46553-010** 3-Chambered Opaque Grey Cage, with two doors, 60x40x22(h)cm

**M-LM 570** Metal Floor, special non-reflective color

**46503** **Mouse Cage for Sociability, with transparent walls, partitions and lids**, complete with following components:

- 46503-003** Grid Enclosure for Sociability (“stranger” cage) **grey**, I.D. 7cm, 15cm(h)  
(2 pieces are provided)
- 46503-010** 3-Chambered Transparent Cage, with two doors, 60x40x22(h)cm
- 46503-320** Set of two transparent lids
- M-LM 570** Metal Floor, special non-reflective color

**46513** **Mouse Cage for Sociability, with transparent walls, partitions and lids**, complete with following components:

- 46503-013** Grid Enclosure for Sociability (“stranger” cage) **white**, I.D. 7cm, 15cm(h)  
(2 pieces are provided)
- 46503-010** 3-Chambered Transparent Cage, with two doors, 60x40x22(h)cm
- 46503-320** Set of two transparent lids
- M-LM 570** Metal Floor, special non-reflective color

## 4.2 For Rats

**46552** **Rat Cage for Sociability, with opaque grey walls and partitions**, complete with following components:

- 46502-002** Grid Enclosure for Sociability (“stranger” cage) **grey**, I.D. 15cm, 25cm(h)  
(2 pieces are provided)
- 46552-010** 3-Chambered Opaque Grey Cage, with two doors, 120x40x40(h)cm
- M-LM 1102** Metal Floor, special non-reflective color, 120x40cm

**46502** **Rat Cage for Sociability, with transparent walls, partitions and lids**, complete with following components:

- 46502-002** Grid Enclosure for Sociability (“stranger” cage) **grey**, I.D. 15cm, 25cm(h)  
(2 pieces are provided)
- 46502-010** 3-Chambered Transparent Cage, with two doors, 120x40x40(h)cm
- M-LM 1102** Metal Floor, special non-reflective color, 120x40cm

**46562** **Rat Cage for Sociability XL, with opaque grey walls and partitions**, complete with following components:

- 46502-002** Grid Enclosure for Sociability (“stranger” cage) **grey**, I.D. 15cm, 25cm(h)  
(2 pieces are provided)
- 46562-010** 3-Chambered Opaque Grey Cage, with two doors, 120x80x40(h)cm
- M-LM 1340-F** Metal Floor, special non-reflective color, 120x80cm

**46512** **Rat Cage for Sociability XL, with transparent walls, partitions and lids**, complete with following components:

- 46502-002** Grid Enclosure for Sociability (“stranger” cage) **grey**, I.D. 15cm, 25cm(h)  
(2 pieces are provided)

**46512-010** 3-Chambered Transparent Cage, with two doors, 120x80x40(h)cm

**M-LM 1340-F** Metal Floor, special non-reflective color, 120x80cm

## 4.1 Grid Cages and Optionals

**46503-003** Grid Enclosure for Sociability ("stranger" cage) **grey**, I.D. 7cm, 15cm(h)

**46503-005** Grid Enclosure for Sociability ("stranger" cage) **grey**, I.D. 10.5cm, 18cm(h)

**46503-013** Grid Enclosure for Sociability ("stranger" cage) **white**, I.D. 7cm, 15cm(h)

**46503-015** Grid Enclosure for Sociability ("stranger" cage) **white**, I.D. 10.5cm, 18cm(h)

**46503-320** Set of two transparent lids (mouse cage)

**46502-002** Grid Enclosure for Sociability ("stranger" cage) **GREY**, I.D. 15cm, 25cm(h), with cone shaped top

**46502-320** Set of two transparent lids (rat cage)

## 4.2 Videotracking

**60000** ANY-maze, flexible video tracking system designed to automate testing in behavioural experiments.

**47400-040** B/W USB Camera, including day&night 2.7-13.5mm varifocal lens, 5m USB cable and ceiling support

## 4.3 Mouse Cage, Physical

Dimensions 60x40x22(h)cm

Weight 9Kg

Shipping Weight 12Kg

Packing 67x42x53cm

## 4.4 Rat Cage, Physical

Dimensions 120x40x40(h)cm or 120x80x40(h)cm

Weight 13Kg - 16Kg

Shipping Weight 26Kg - 32Kg

## 5 Bibliography



**We do the search for you: we weekly browse bibliography and link new papers to the bibliography section of each UB device.**

**Don't forget to check our web page periodically for updated bibliography!**